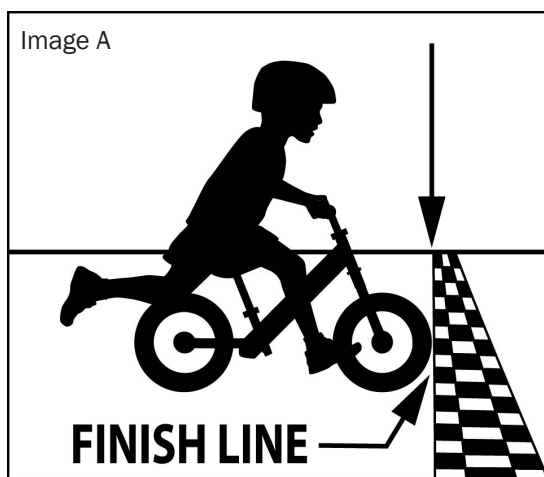




**1. Only Genuine Strider<sup>®</sup> Balance Bikes are permitted to race.**

2. Parent or guardian must sign waiver and register rider before rider enters the track.
3. Parent or guardian must provide proof of age or be prepared to sign legal affidavit certifying rider's age.
4. All riders may be assisted on the start hill/ramp only. Only one parent or guardian limit in the start area.
5. Parent or guardian must not make any contact with bike or rider at the start of the race (no pushing).
6. Parents or guardians are not allowed on track during competition. Strider Official may allow an exception to this rule (after the gate drop) for a struggling child.
7. Riders must be able to complete course unassisted for a finishing position.
8. At a minimum, every rider will be allowed to run at least one practice lap and two races.
9. Heat race selection and start position will be determined by registration date and time or random lottery at Strider official's discretion.
10. Age groups for racing are based on rider's age the day of the event. Age classes are 2 and under, 3 year old, 4 year old and 5 year old. In the case of a multi-day event, age groups will be based on the first day of the event.
11. One age group will go through their entire race program starting with a rider's meeting and ending with a podium ceremony. This age group will then clear the track, and the next age group will go through their entire program, and so on.
12. Finish line is reached when the front tire of the bike is ridden across the finish line. Refer to Image A.



13. Parents or guardians are responsible to make sure that bike and rider meet the following rules to ensure safety for the rider and fellow participants:

- Bike must be properly maintained and in good working order.
- Bike must be properly fitted to the rider with final decision being made by the Strider Official.
- Seat and handle bars must not extend beyond their minimum insertion lines.
- All nuts and bolts must be tight.
- All grips need to be in good condition with no sharp edges protruding.

14. No modifications of bike frame or fork are allowed.

- Stock wheelbase required.
- Use of stock wheel-mounting locations are required.
- Use of axle tab washers are required.
- All axels must use a cap nut or have threads covered. Axels must not extend more than 20mm from the fork.

15. No brake systems are allowed.

16. Aftermarket components such as wheels, seats, and handlebars are acceptable (with the exception of brake systems) but are subject to safety inspection and approval by Strider Official.

Handlebars must be within the following dimensions:

Height from ground:

A = 45cm minimum

B = 66cm maximum

Maximum extension from headtube centerline:

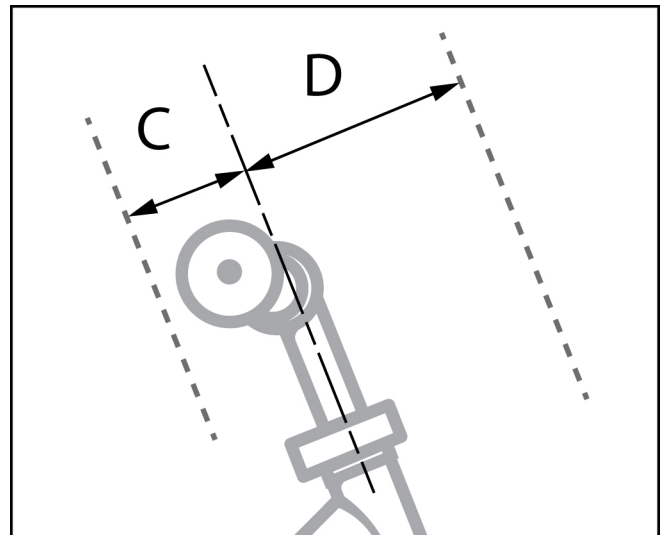
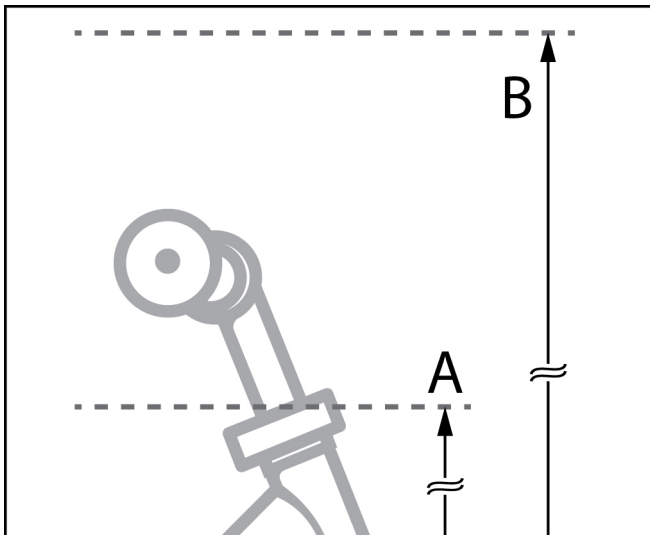
C = 6cm rearward

D = 12cm forward

Overall width

34cm minimum

46cm maximum



17. All riders must wear a helmet at all times while riding. The helmet **must** display that it meets CPSC, DOT, SG, CE, EN, or similar safety standards.
18. Shoes must provide full toe coverage and be securely attached. No slip-on shoes or sandals are allowed. Only rubber soled shoes are allowed. No cleated or spiked shoes are allowed.
19. Parents or Guardians: Your child's health, comfort, and safety is **your** responsibility.
- Please dress your child appropriately for the activity and weather conditions; we **highly** recommend long pants and long sleeves for skin protection.
  - In order to prevent injuries from falling, we **highly** recommend your child wear elbow pads, knee pads, and gloves to protect joints and hands.
  - Remember to keep your child nourished and hydrated throughout the event.