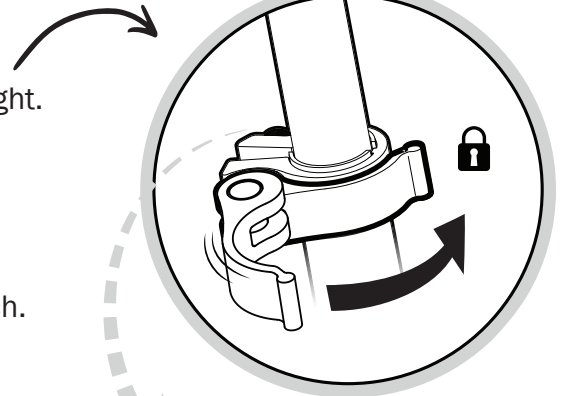


**Clamps!**

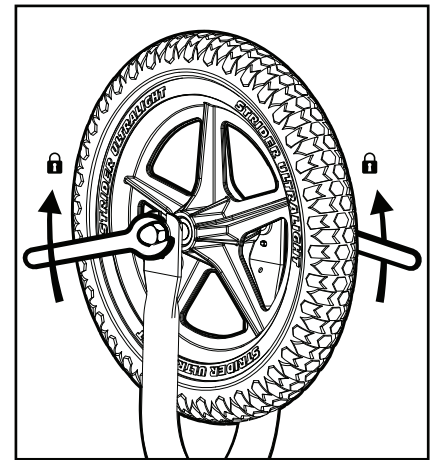
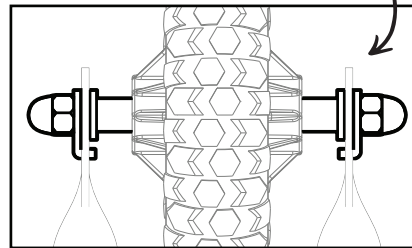
Check that each clamp on your rider's Strider 12 Balance Bike is tight.

- Look for a clamp on the saddle (or seat post) and one for the handlebar of your little rider's Strider Bike.
- A grown-up should close the lever on the Quick Release Clamp using the palm of their hand and press hard enough to see an imprint. Then give it another tug with an Allen wrench.


 **Wheels!**

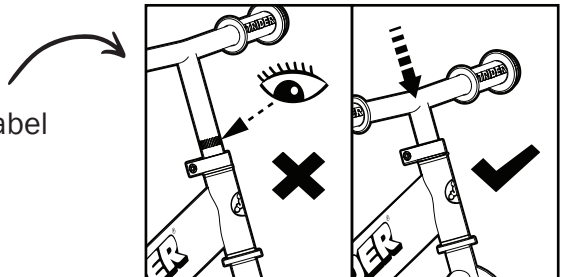
Check that your rider's wheels are secure.

- Organize your axle pieces in this specific order when assembling your rider's Strider Bike: (from the center, moving out) wheel rim, spacer, flat washer, frame, hooked washer then the outside washer. Check to be sure this order is the same on both sides.
- Look at your rider's bike frame for the obvious spot (it's a hole!) for the hooked washer to be inserted.
- Tighten the outside nuts evenly: a little on the right, then a little on the left. If you crank one side too hard then the wheel can appear wobbly/deformed.
- Doing each of these steps helps to ensure the wheel stays securely on the bike!


 **Handlebar!**

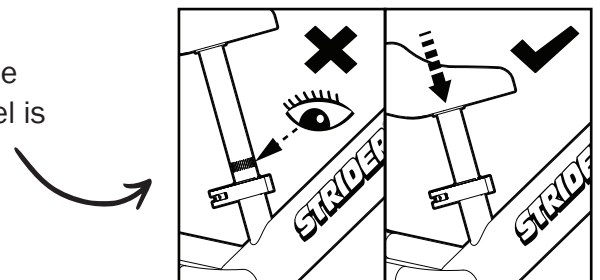
Check that your rider's handlebar is secure.

- The little groove indicating minimum insertion labeled on the handlebar stem must be inserted in the head tube until this label is no longer visible (approximately one inch).


 **Saddle!**

Check that your rider's saddle is secure.

- The little groove indicating minimum insertion labeled on the saddle post must be inserted in the seat tube until this label is no longer visible (approximately one inch).



# Bike Tune Up & Safety Checklist

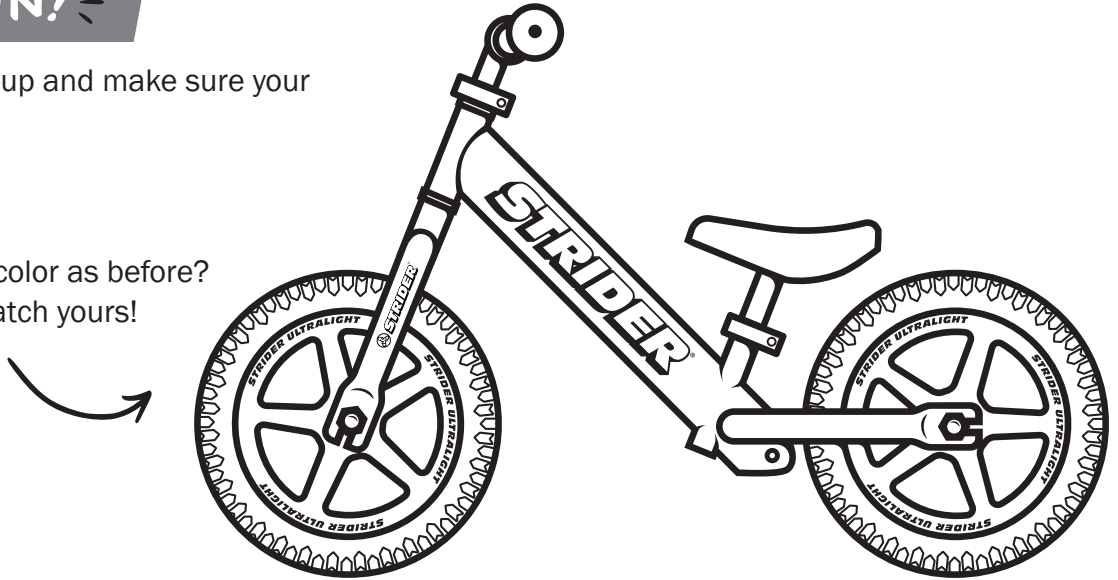
# 12"

## !KIDS EDITION!:

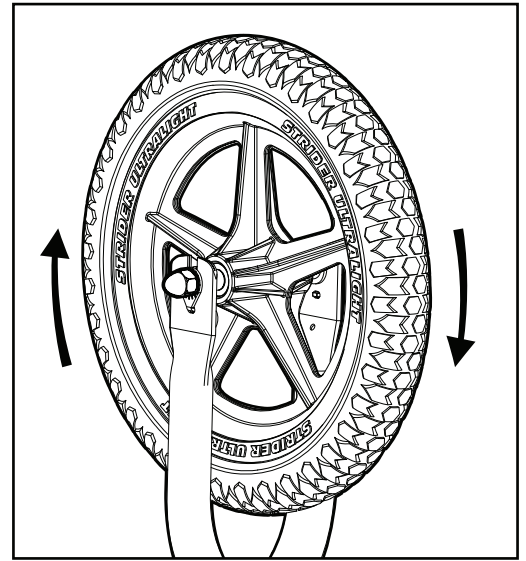
Follow along with a grown-up and make sure your bike is **SAFE TO RIDE!**

 **Color!**

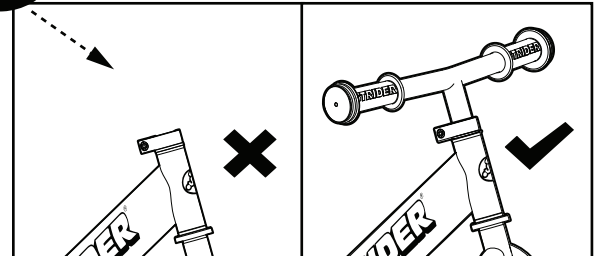
Is your bike the same color as before?  
Color in this bike to match yours!


 **Wheels!**

Do your wheels spin?  
Make sure they don't get stuck so you can ride as fast as possible!


 **Handlebar!**

Does your bike have a handlebar?  
Make sure this isn't missing so you can steer your bike!


 **Saddle!**

Does your bike have a saddle?  
Make sure this isn't missing so you have a place to sit!

